

Heating Pro 15-60/130 – Ultra Efficient Heating Circulator

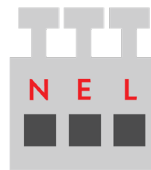
ARCHERGAS®

ENGINEERING DURABILITY

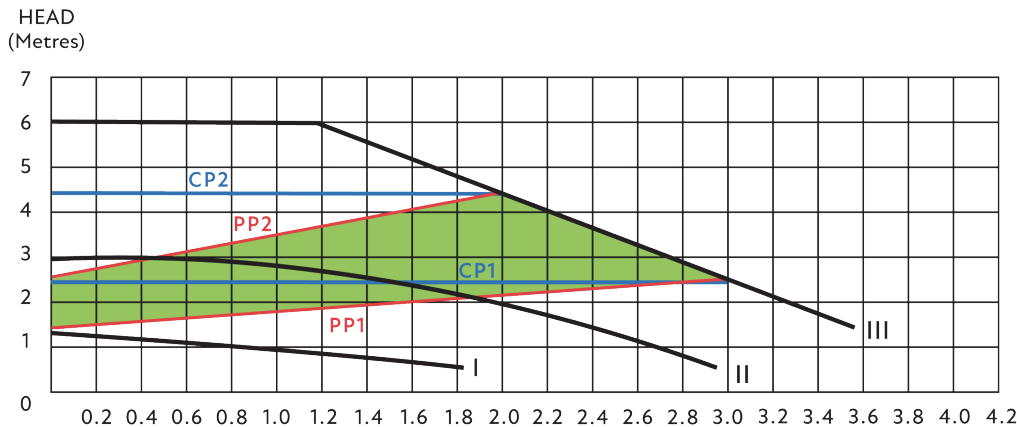
Specification

- Weight: 1.8kg
- Colour: Jet Black
- Insulation Class: F
- Material: Cast Iron
- Part Number: PRO15
- Connection Size: 1 ½"
- Protection Class: IP44
- CE/UKCA Approved: Yes
- Maximum Head: 7 Metres
- Speed Control: 10 Modes
- Barcode: 5070000518756
- Maximum Amperage: 0.38
- Temperature Class: TF95°C
- Port to Port Distance: 130mm
- Commodity Code: 8413708190
- Maximum System Pressure: 10 Bar
- Energy Efficiency Index (EEI): ≤ 0.20
- Maximum Flow Rate: 65 Litres Per Minute
- Supplied With: Rubber Washers x2 & Straight Connector

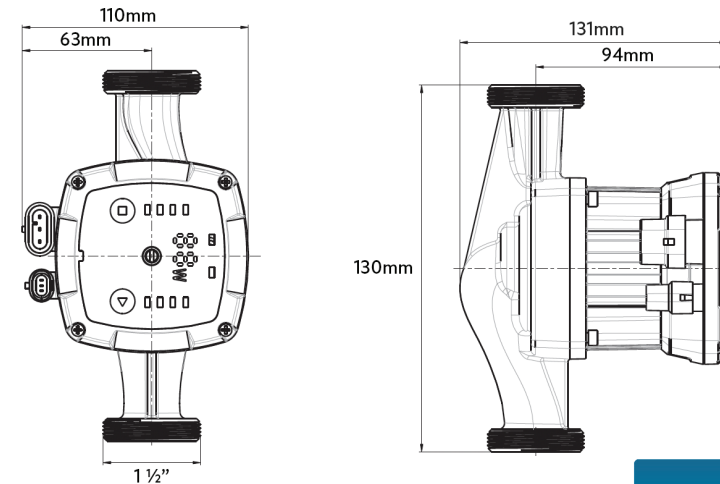
Wiring



*With the adaptor clip facing away from you and the cable grommet facing down



Flow Rate (M³/h)



- *The benchmark for the most efficient circulators is EEI ≤ 0.20
- *PRO15® is a registered trademark owned by Archergas Limited
- *This standalone circulator is not for head changes or use inside boilers

www.archergas.com



3007255



676108